

VSS3P0400

MCCB Type Voltage Selector Switch

Hi Y Connection Rated Current 200Amps

Low Y Connection Rated Current 400Amps



Description

VSS (Voltage Selector Switch)

The VSS (Voltage Selector Switch) is unique and easy to operate. By rotating the handle, the operator can change any 10 or 12 lead generator from Hi Y to Low Y in a few seconds and at the same time positioning the correct breaker for optional voltage of 208V and 480V. This Voltage Selector Switch is ideal for generator rental markets.

Features

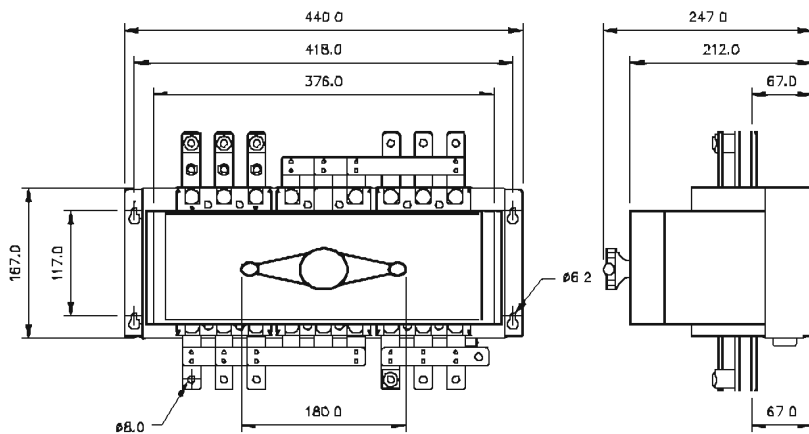
- High Short Circuit Breaking Capacity
- With Mechanical Interlock
- Incorporate Over Current Protection Device (OCPD) Design
- Position Indicator switches incorporated
- Molded Insulating Manual Handle
- Includes Plug-in Connector, For Simply Wiring With External Device

VSS Rated Operating Current & AC Rated Breaking Capacity

VSS Position	Pole	Rated Current(A) Ambient Temperature 40	AC Rated Breaking Capacity					
			Sym r.m.s.(KA) IEC 60947-2 Icu/Ics					
			240V	380V	415V	440V	500V	690V
Y	3P	200	25	18	15	15	10	-
YY	3P	400	25	18	15	15	10	-

Mechanical Specifications

Wiring Diagram



UNIT: mm

