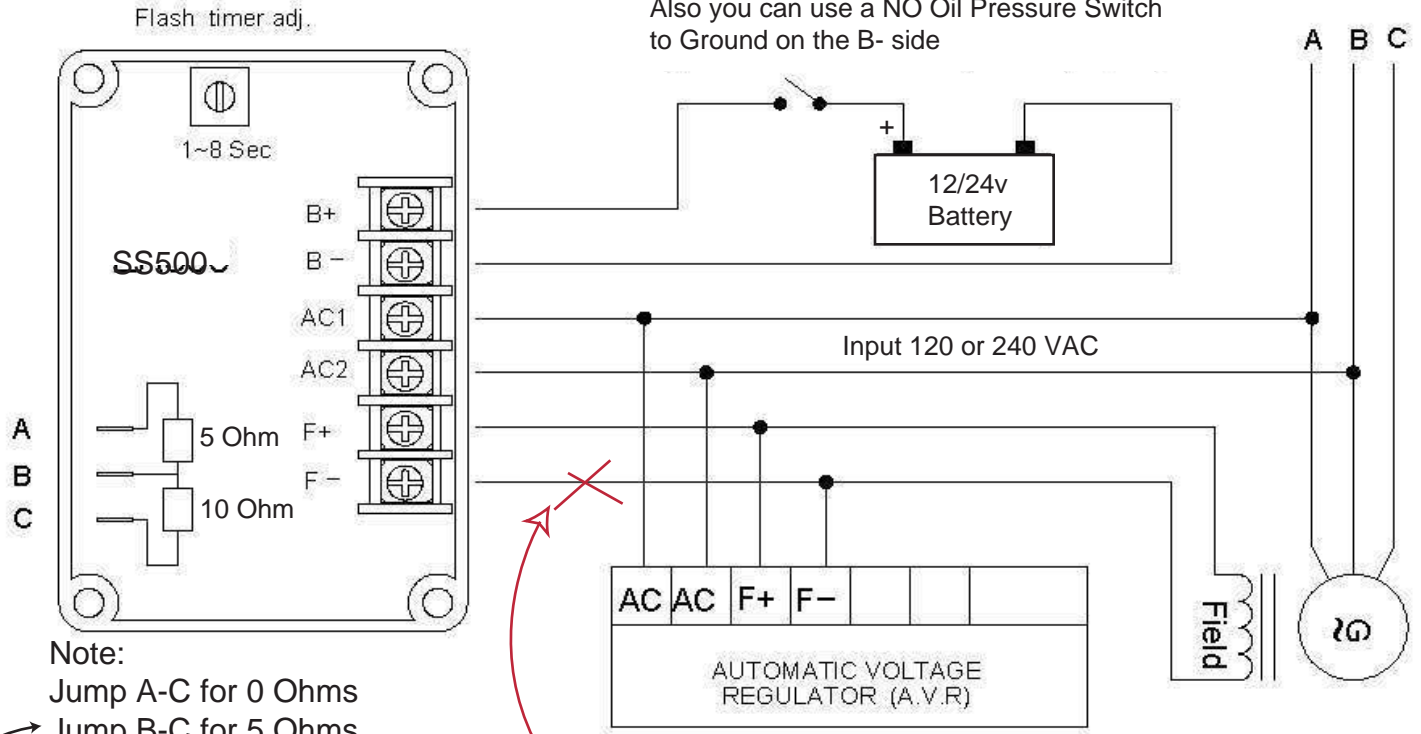


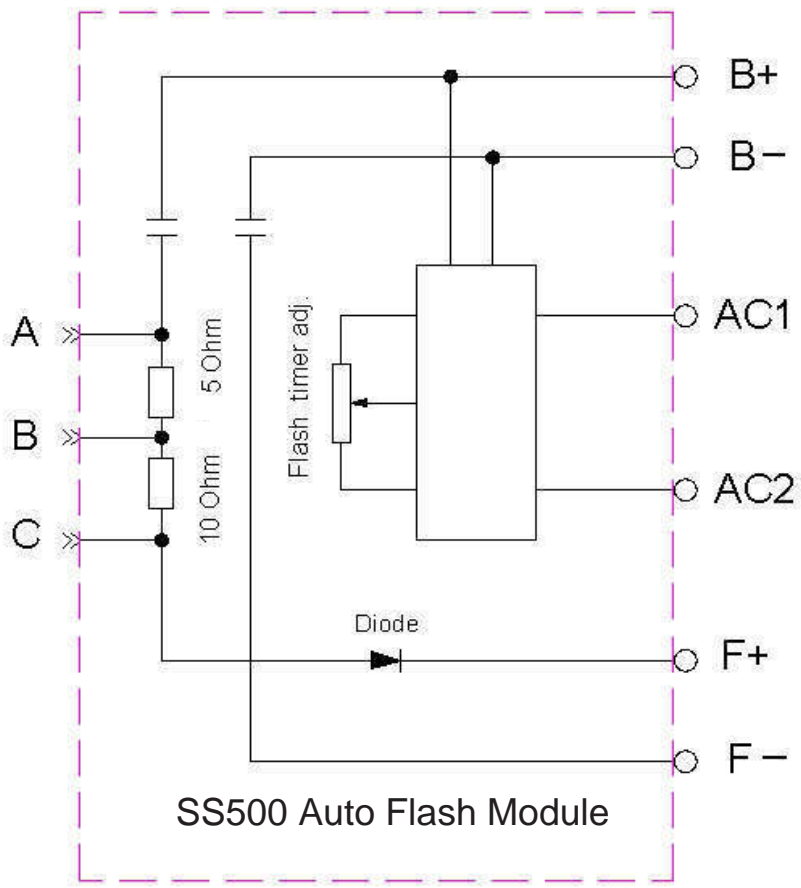
Oil Pressure/Fuel Switch (Normally Open).
Also you can use a NO Oil Pressure Switch
to Ground on the B- side



Note:
Jump A-C for 0 Ohms
Jump B-C for 5 Ohms
Jump A-B for 10 Ohms

Use 5 Ohm Setting First

Do not Connect F- from AVR to Flashing unit
If Generator NEUTRAL is Ground to
Generator Chassis and to Battery -



SS500 AUTO FLASH MODULE

Automatic Voltage
Build-up Relay

Input :
B+, B- 10~30Vdc
AC1, AC2 120/240Vac
AC1, AC2 120/240Vac

Flash timer adj. 1~8 Sec