

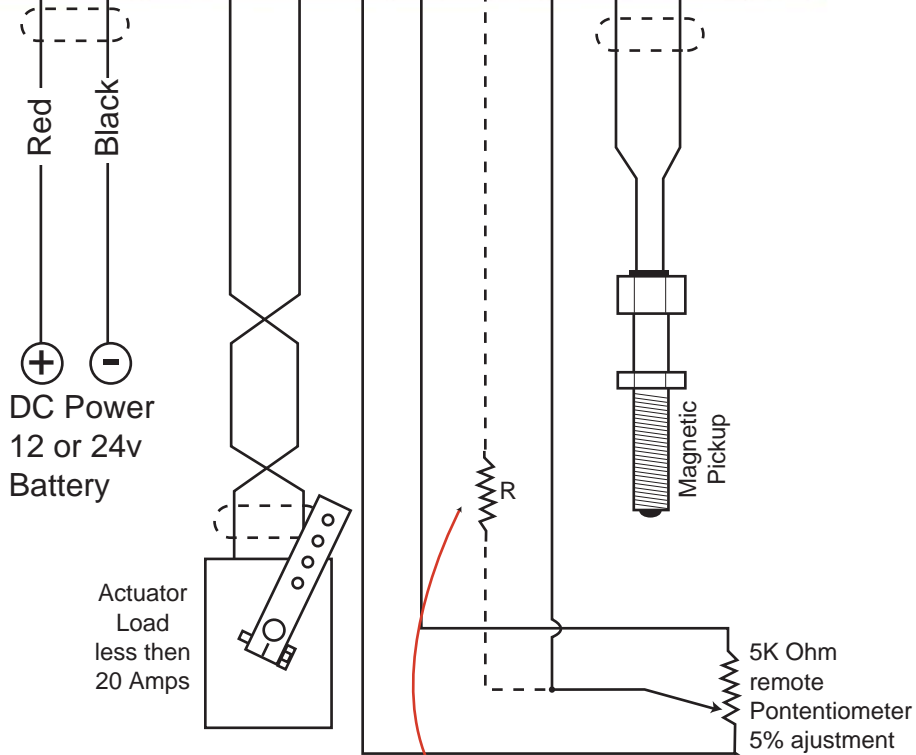
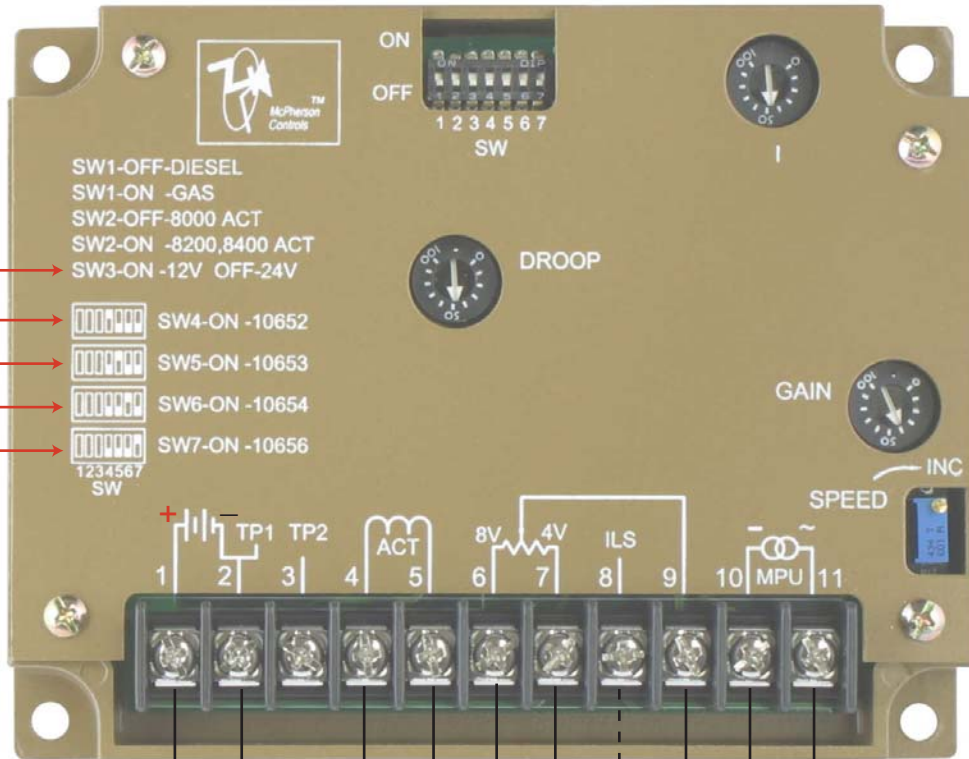
12/24v switch

250 - 1200 Hz

1200 - 2500 Hz

2500 - 5000 Hz

5000 - 9500 Hz



Terminal 8 is used when you need more then 5 % adjustment a Resistor is added. Reduction of value for R increases the remote adjustment speed range