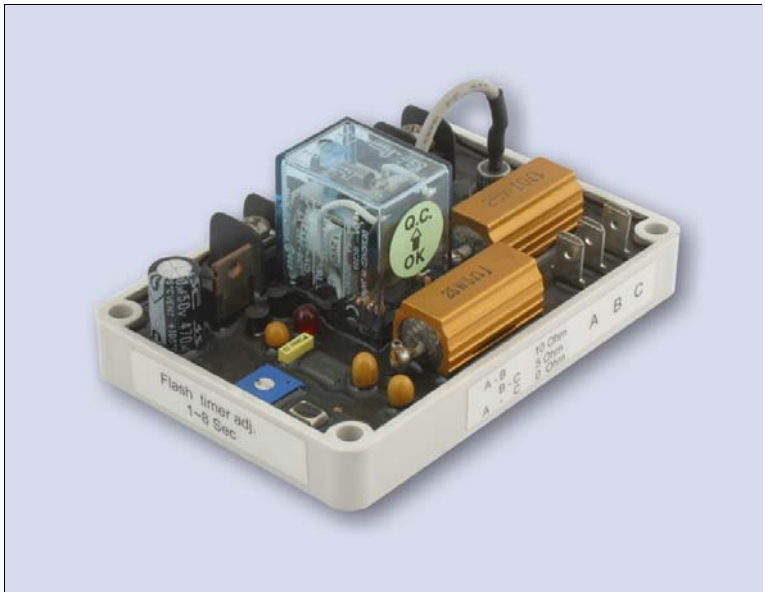


# SS500

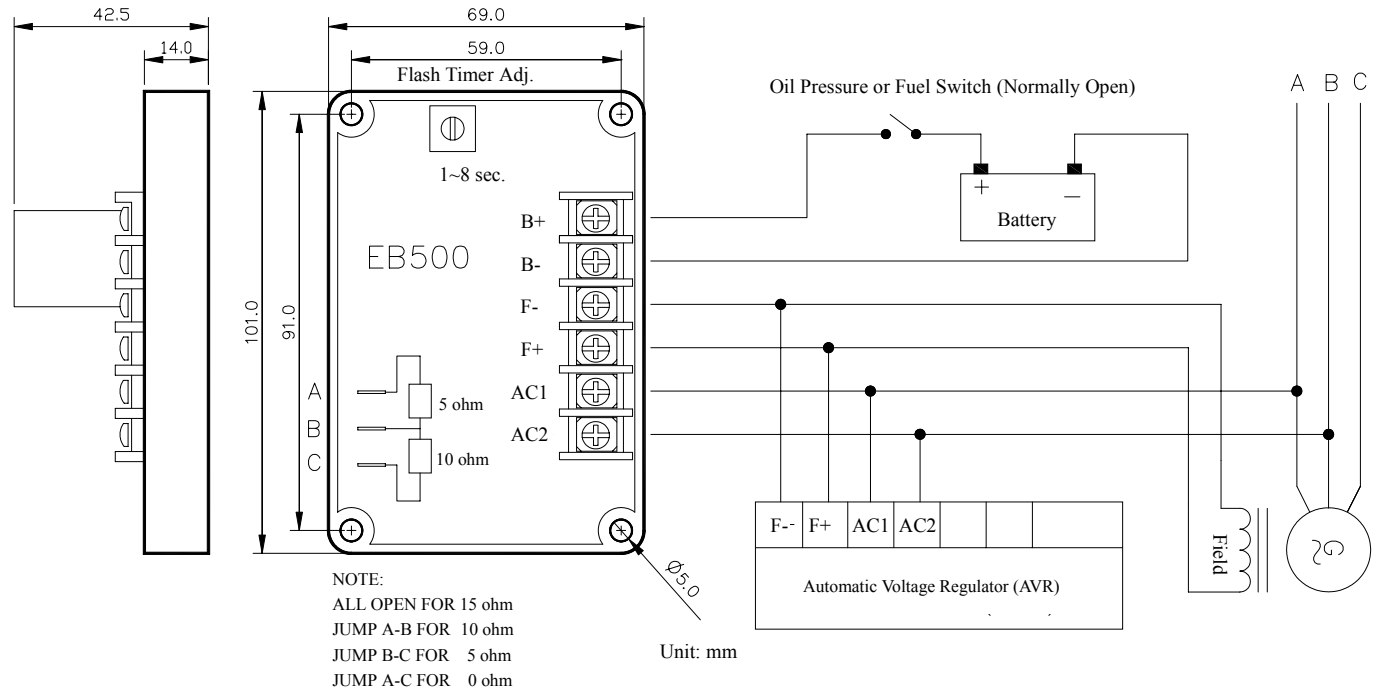
## 1 Shot Auto Flash Module Generator Voltage Build Up Latching Relay

### Specifications

Input Voltage	DC 10 – 30 VDC
Sensing Voltage	AC 120/240 VAC
Flash Time	1-8 sec. (adjustable)
Trigger Contact	Oil Pressure or Fuel Sensor
Resistance	0,5,10,15 ohm select by jumper
Protection	Reverse Current Protection

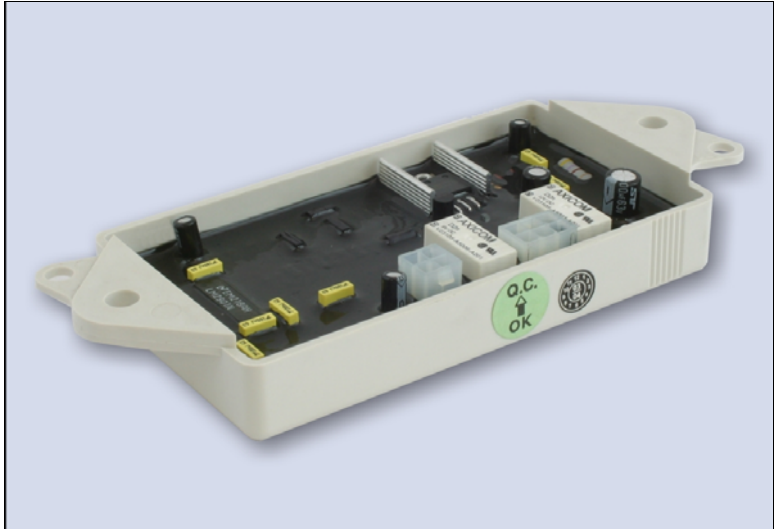


### Wiring Diagram



# ED35

## Welder Generator Accessory Denyo \* ND-30 & ND-35 Compatible Design for Denyo 280SS Generator



\*Use for reference purpose only, not a genuine Denyo product