

SS350 Automatic Voltage Regulator

Compatible with*Marathon SE350 & Basler AVC 63-4D

Feature

- **< ±1% Regulation**
- **Optional 120 / 240VAC** Sensing Input Switch**
- **50 / 60 Hz Selectable**
- **Under Frequency Protection**
- **Built-in High Breaking Capacity Fuse**
- **EMI Suppression**

*Use for reference purpose only, not a genuine Basler or Marathon product.

** SE350 and AVC 63-4D only fits 220 VAC Generators, and do not have fuse protection.

Specification

Sensing & Power Input	Voltage	120 (90 ~ 132) / 240 (171 ~ 264) VAC	External Voltage Adjustment	±5% @ 1 K Ω 1 Watt ±10% @ 2 K Ω 1 Watt
		Dip switch selectable		
Output	Frequency	50 / 60 Hz selectable	Unit Power Dissipation	Max 8 Watt
	Voltage	Max 37 VDC @ 120 VAC input Max 74 VDC @ 240 VAC input	EMI Suppression	Internal electromagnetic interference filtering 60Hz system presets knee point at 55 Hz* 50Hz system presets knee point at 45 Hz* (*Factory Setting)
	Current	Continuous 4A Intermittent 7A for 60 sec	UFRO	
Voltage Regulator Rate	< ±1% (with 4% engine governing)	Dimension	99.5 (L) x 67.0 (W) x 47.5 (H) mm	
Voltage Build	Residual volts at AVR terminal >3.5 VAC	Weight	185 g ± 2%	

Environment

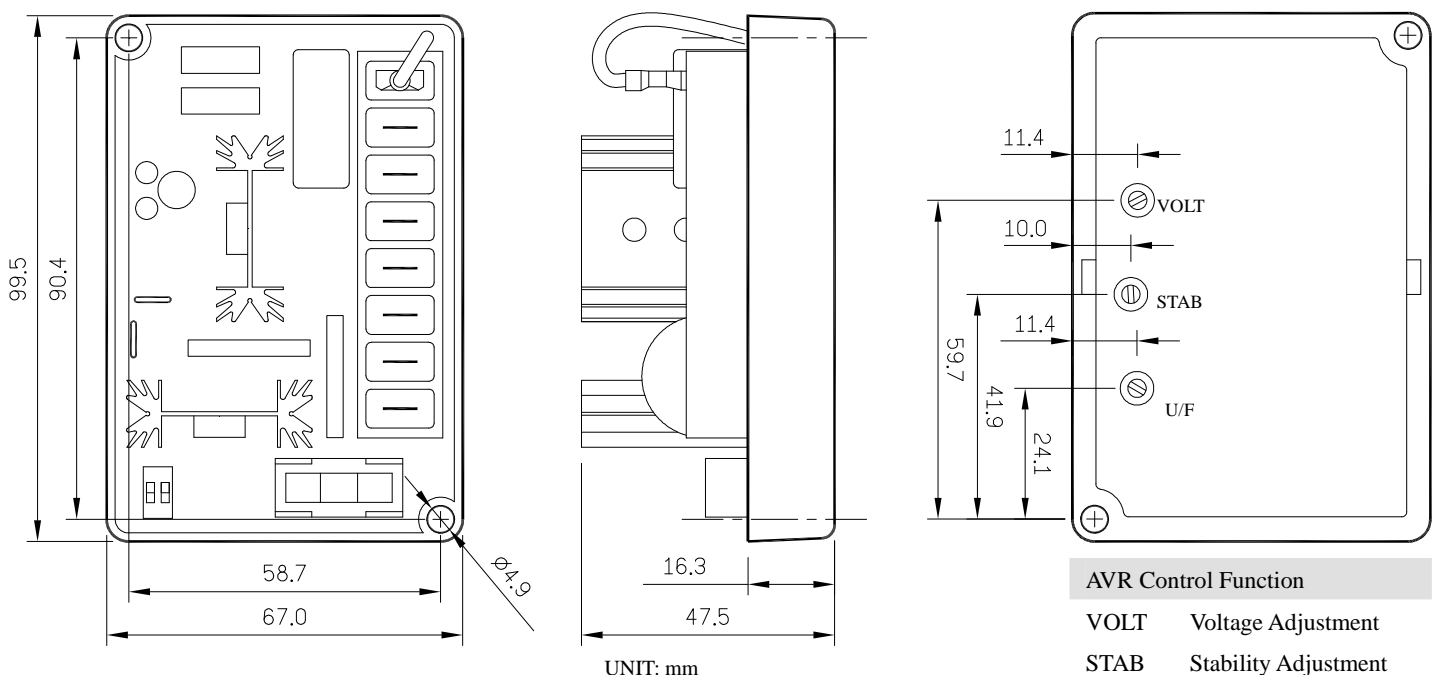
Vibration 1.3G @ 5 ~ 26 Hz 5.0G @ 52 ~ 1000 Hz

Relative Humidity < 95%

Operation Temperature -40 ~ 60°C

Storage Temperature -65 ~ 85°C

Mechanical Specification



AVR Control Function

- VOLT Voltage Adjustment
- STAB Stability Adjustment
- U/F UFRO Knee Point Set

