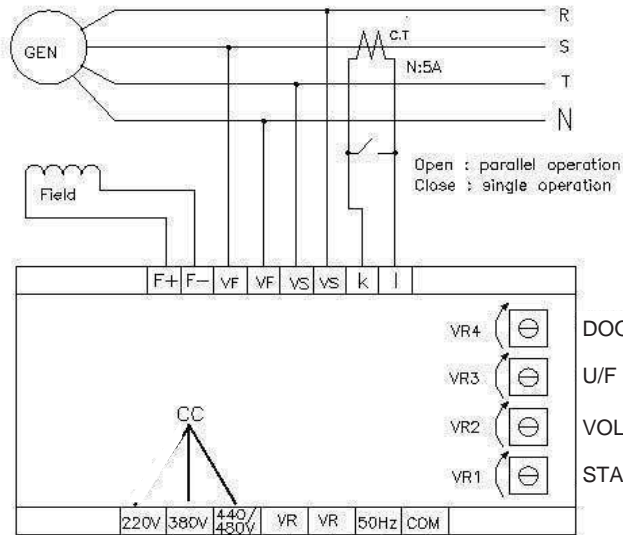
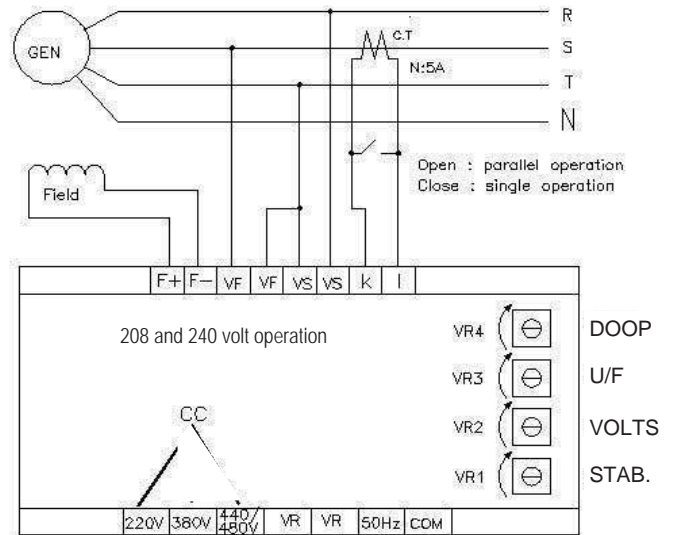


# SS15A2 Set Up



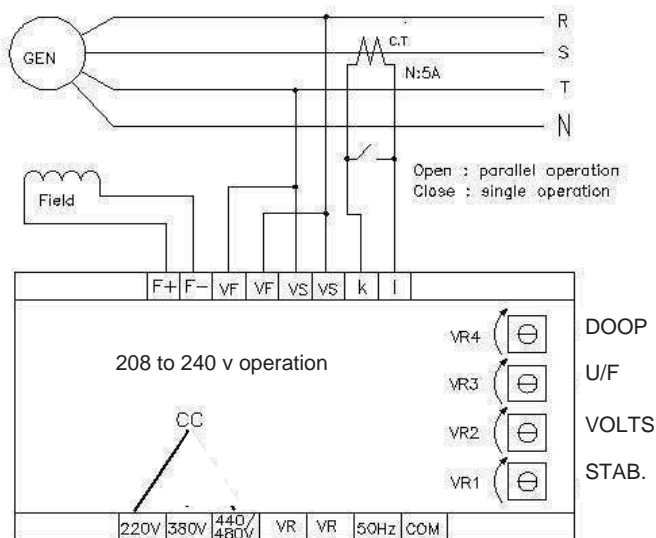
potentiometer for external voltage adjustment -5K/1W

EXT. VR



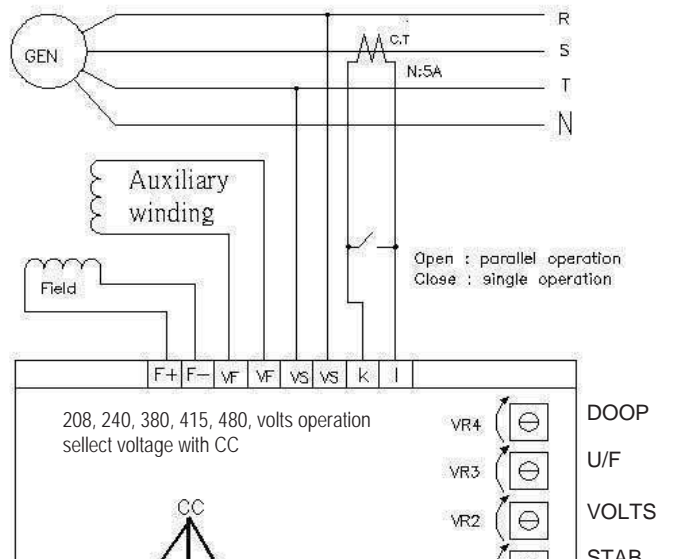
potentiometer for external voltage adjustment -5K/1W

EXT. VR



potentiometer for external voltage adjustment -5K/1W

EXT. VR



potentiometer for external voltage adjustment -5K/1W

EXT. VR

DROOP : droop adjustment  
 VOLT : voltage adjustment  
 U/F : under frequency adjustment  
 STAB. : stability adjustment

VS : sensing voltage range 220/380/440/480VAC ( $\pm 10\%$ )  
 VF input power range 120 - 280VAC (phase - N or phase-phase)  
 F+,F- output power MAX 95VDC (at input 220VAC)  
 NOMINAL CURRENT OPERATION 15ADC  
 PEAK CURRENT (max.10 sec) 25ADC

CC-220V : (VS)sensing 220VAC  
 CC-380V : (VS)sensing 380VAC  
 CC-440/480 : (VS)sensing 440 or 480VAC  
 50HZ-COM : OPEN=60HZ  
 COLSE=50HZ