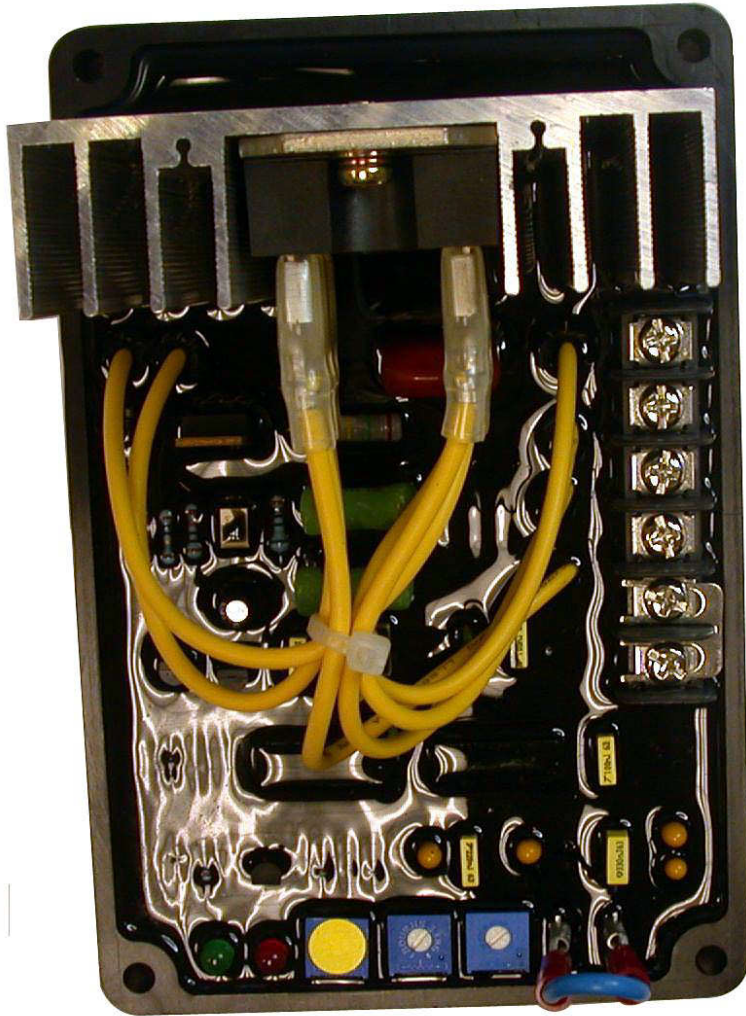


SS12 Voltage Regulator



General Purpose Full-Wave Voltage Regulator specifically made to substitute a great number of Full Wave Voltage regulators with 120 Volts Output.

New Modern electronics makes this state of the arts AVR ideally suited for a great number of uses.

Not suitable for use in paralleling applications.

Input & Sensing: 190 to 277 Volts AC
50/60 Hz

Output: 7.5 Amps 180 VDC

External Voltage Adjustment:
1K Ohm 1/2 Watt

Regulation: 1%

Voltage Build Up: Residual no less the 5V @ 25 Hz

Field Resistance: From 6 to 100 Ohms

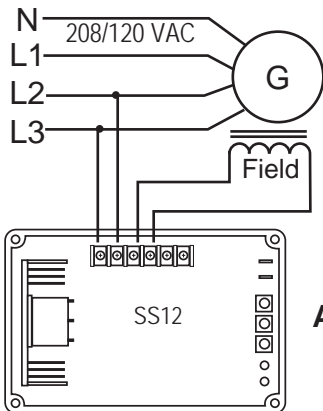
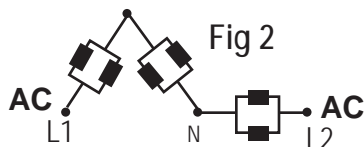
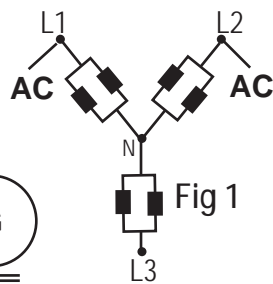
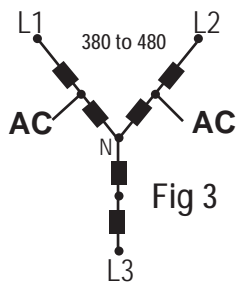
Under Frequency Protection Build In With Soft Start

Size: 6"L x 4"W x 2.5"H - 1 Lbs

Close for 60Hz Operation, Open for 50 Hz

Voltage Adjustment

Stability Adjustment



ADJUSTMENTS:

Under Frequency Adjustment: Link "COM 50Hz terminals for 60 Hz and Open for 50Hz Use.

Under Frequency Settings Procedure:

- Start Generator Set Output Voltage To Normal.
- Adjust Engine Governor to 50 or 60 Hz
- Carefully turn U/F adjustment until U/F LED is illuminated

Voltage Adjustment:

- Carefully turn volt adjustment until rated voltage is reached.
- A 1 K Ohm 1/2 Watt Trimmer can be used for external adjustments

Stability Adjustment:

- Carefully turn stability trimmer until output voltage start being stable