

# BTS3BE0400

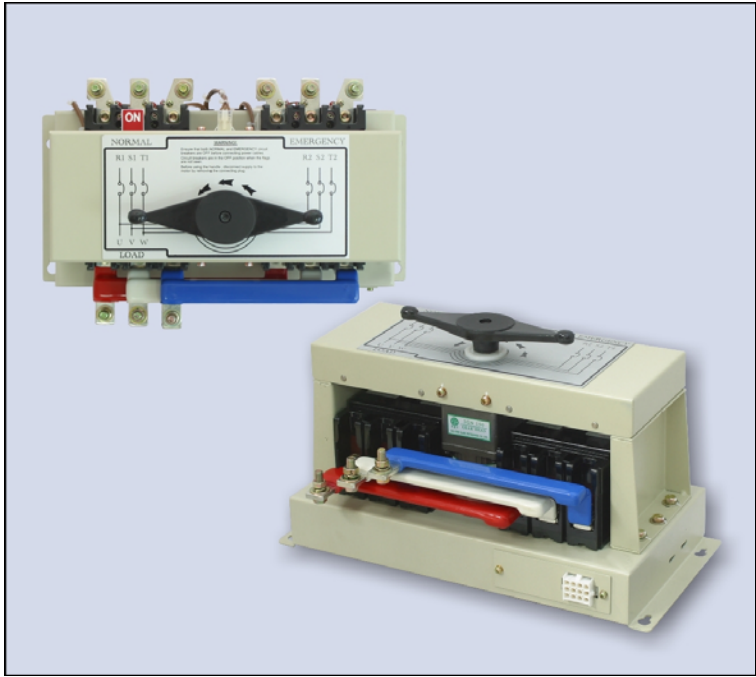
# BTS4BE0400

## MCCB Type Transfer Switch

Rated Current 250~400A Voltage 100~600VAC

### Features

- High Short Circuit Breaking Capacity
- Incorporate OCPD\* Design
- Complies with IEC60947-6 requirements\*\*
- MCCB Has Auxiliary Limit Switch Inside
- Reliable Motor-Operated Transfer Mechanism
- Molded Insulating Manual Handle
- PVC-Coated Bus Bar > 3KV Insulation
- With Mechanical Interlock
- Includes Plug-in Connector, For Simple Hook-up to Controller

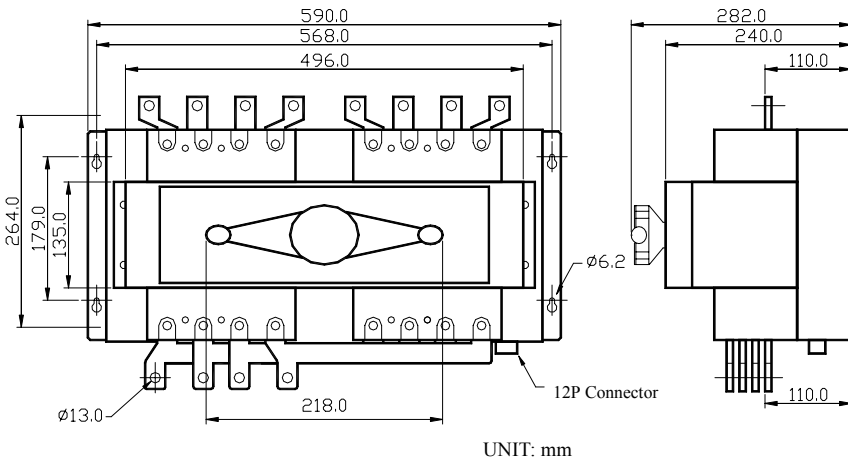
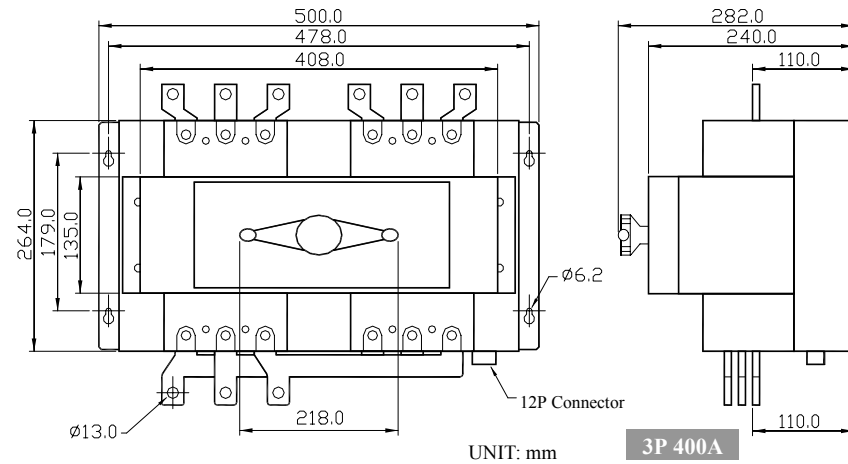


### BTS Rated Operating Current & AC Rated Breaking Capacity

BTS Type	Pole	Rated Current(A)				AC Rated Breaking Capacity					
		Ambient Temperature 40				Sym r.m.s.(KA) IEC 60947-2 Icu/Ics					
		250	300	350	400	240V	380V	415V	440V	500V	690V
BTS3BE0400	3P	250	300	350	400	35	25	25	18	15	-
BTS4BE0400	4P	250	300	350	400	50	35	30	30	22	16

\*For special high breaking capacity requirements, please contact us.

### Mechanical Specifications



**\*OCPD**  
Over Current Protection Device

**\*\*IEC60947-6 Class CB**  
ATS provided with overcurrent trip and the main contacts of which are capable of making and are intended for breaking short circuit currents.

**\*\*IEC60947-6 Utilization Category AC-33A**  
1. Frequent operations.  
2. Motor loads or mixed loads including motors, resistive loads and up to 30% incandescent lamp.

**\*Customized BTS Available**  
Please provide the required specification and specified MCCB type (if there is any), we will evaluate the mechanical capability for customers.

Please link to <http://www.mcphersoncontrols.com> for detailed manual.