

How to set the time DELAYS

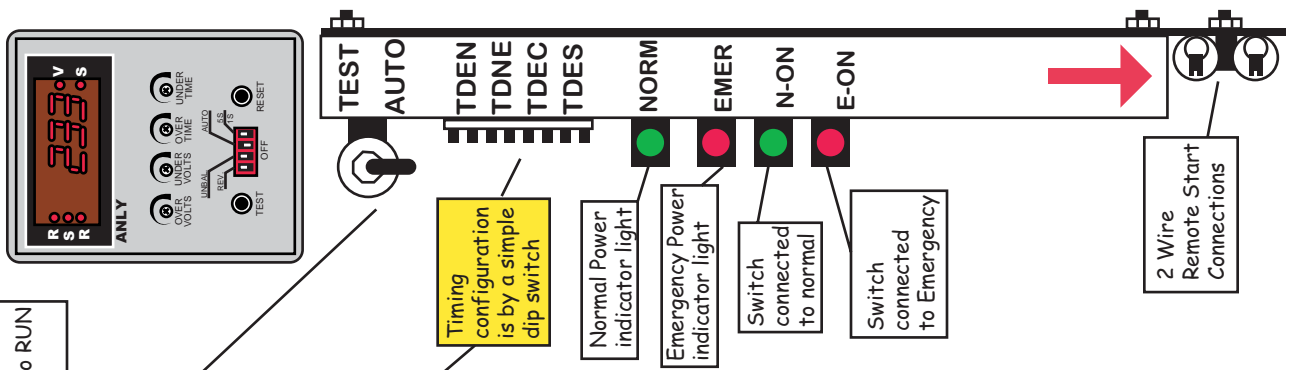
SWITCH
Move Switch to AUTO for normal operation
Move Switch to TEST to RUN generator under load

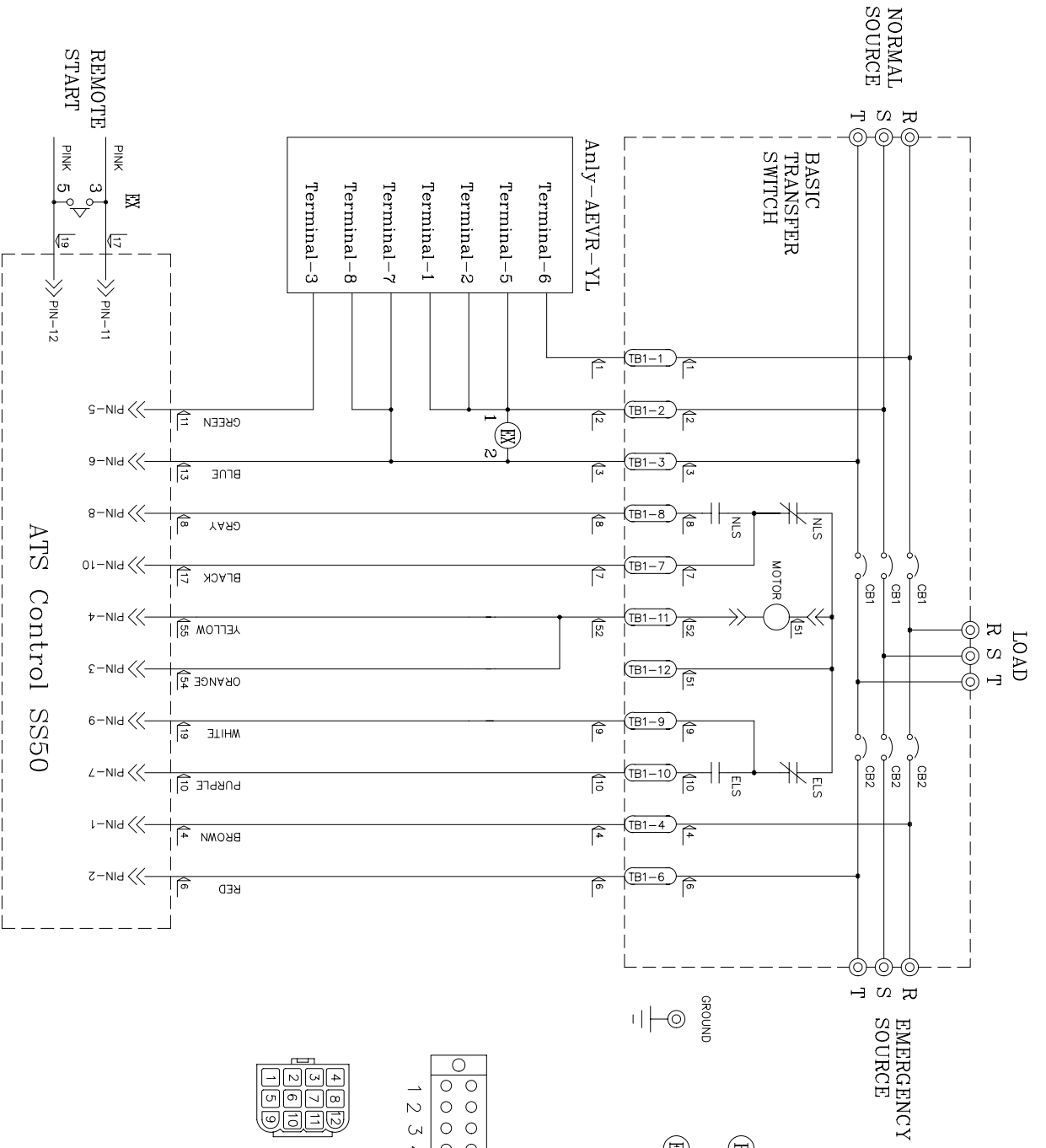
TDEN ON 1 2 Time delay emergency to normal	<input type="checkbox"/> ON <input type="checkbox"/> ON <input type="checkbox"/> ON <input type="checkbox"/> ON	2 Seconds 10 Seconds 20 Seconds 30 Seconds
TDNE ON 3 4 Time delay normal to emergency	<input type="checkbox"/> ON <input type="checkbox"/> ON <input type="checkbox"/> ON <input type="checkbox"/> ON	2 Seconds 10 Seconds 20 Seconds 30 Seconds
TDEC ON 5 6 Time delay engine cool down	<input type="checkbox"/> ON <input type="checkbox"/> ON <input type="checkbox"/> ON <input type="checkbox"/> ON	2 Seconds 30 Seconds 60 Seconds 120 Seconds
TDES ON 7 8 Time delay engine start	<input type="checkbox"/> ON <input type="checkbox"/> ON <input type="checkbox"/> ON <input type="checkbox"/> ON	2 Seconds 5 Seconds 10 Seconds 15 Seconds

Standard Factory Set

WARNING
CONNECTING POWER TO THE WRONG TERMINALS ON THE SWITCH WILL MOTORIZE THE GENERATOR

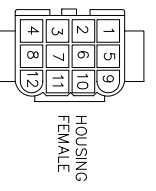
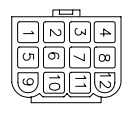
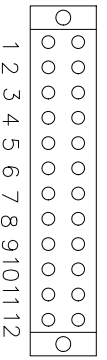
The CMO9 is a fully configurable automatic transfer switch control module. It is designed to monitor the incoming normal supply for loss of power. Should normal supply voltage fall out of limits the module will issue a start command to the generating set controller. Once the set is available and producing an output the ATS module will control the transfer devices and switch the load from the Normal to Emergency power. Should the Normal supply return, the module will command a return to the Normal supply and shut down the generator after a suitable cooling run. Various timing sequences are used to prevent nuisance starting and supply breaks.





(R) : 4P Ac220V Relay

(EX) : Frontier Exerciser Timer



CN1

ATSS Control SS50

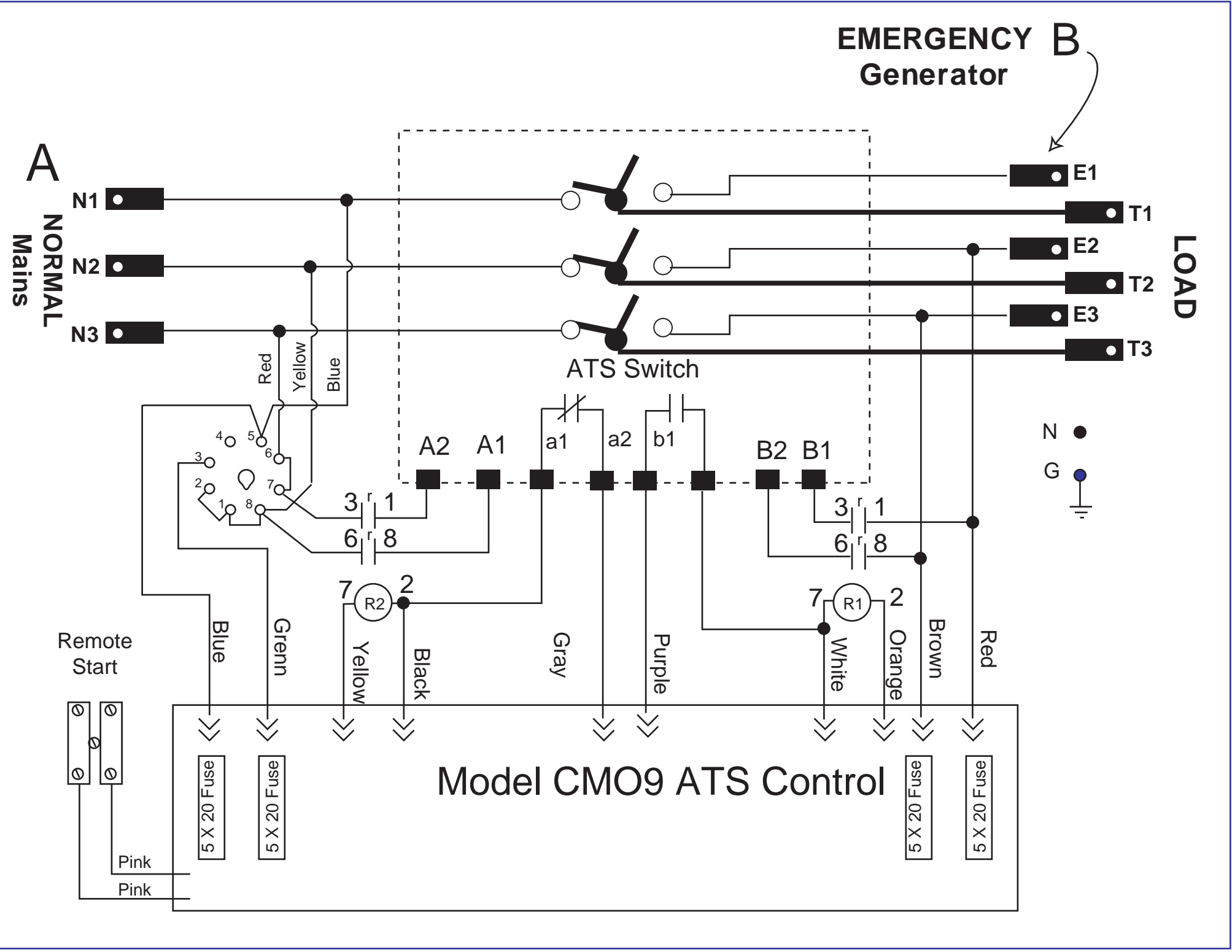
WD-00370

SS50 Control Program BTS
Exerciser Without Load

06/18/2004

WD-00370

	1
	1



A

**NORMAL
Mains**

**EMERGENCY B
Generator**

LOAD

ATS Switch

Model CMO9 ATS Control

Remote Start

N1
N2
N3

E1
T1
E2
T2
E3
T3

A2 A1 a1 a2 b1 B2 B1

R2
Yellow
Black

R1
White
Orange
Brown
Red

Blue
Green

Gray

Purple

5 X 20 Fuse

5 X 20 Fuse

5 X 20 Fuse

5 X 20 Fuse

Pink
Pink

N ●
G ●

