



ANLY CONTROLLER

AEVR MULTI-FUNCTIONABLE DIGITAL VOLTAGE CONTROLLER



CHARACTERISTIC :

- Digital 3-phase voltage indicator and fault detector
- Over voltage detection - 0.1sec~10sec adjustable tripping delay
- Under voltage detection - 0.1sec~10sec adjustable tripping delay
- Phase-loss detection - 2sec fixed tripping delay
- Phase sequence detection - 0.5sec fixed tripping delay
- 3-phase voltage balance($\pm 5\%$) detection - 3sec fixed tripping delay
- Phase-loss detection with active motor
- Manual / Auto Reset selectable - 1sec or 5sec auto reset tripping delay

SPECIFICATION :

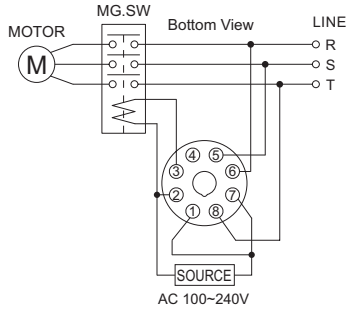
Operating voltage	AC/DC(V): 100 ~ 240
Allowable operating voltage range	85~110% of rated operating voltage
Rated frequency	50 / 60 Hz
Detecting method	Detect 3-phase supply voltage
Detecting range	P TYPE: 77 ~ 143VAC L TYPE: 160 ~ 300VAC H TYPE: 277 ~ 519VAC
Reset time	1S / 5S
Display	Display resolution $\pm 1\%$
Contact rating	250VAC 5A (resistive load)
Power consumption	Approx. 3.3VA
Life	Mechanical: 5,000,000 times Electrical: 100,000 times
Ambient temperature	-10 ~ +50°C
Ambient humidity	MAX 85%RH
Weight	Approx. 135g

TYPE SELECTION :

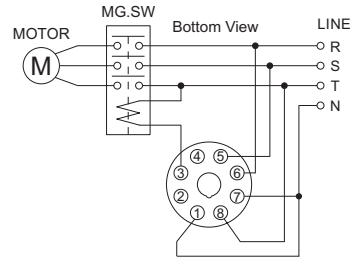
Voltage detect range	3-Phase 3-Wire		3-Phase 4-Wire		1-Phase 2-Wire	
77~143VAC	AEVR-NP	AEVR-YP	- - - -	- - - -	AEVR-NPS	AEVR-YPS
160~300VAC	AEVR-NL	AEVR-YL	- - - -	- - - -	AEVR-NLS	AEVR-YLS
277~519VAC	AEVR-NH	AEVR-YH	AEVR-N4	- - - -	AEVR-NHS	AEVR-YHS

CONNECTION :

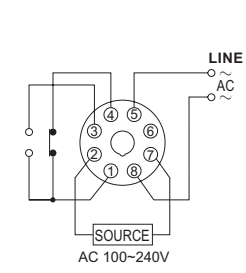
3-Phase 3-Wire



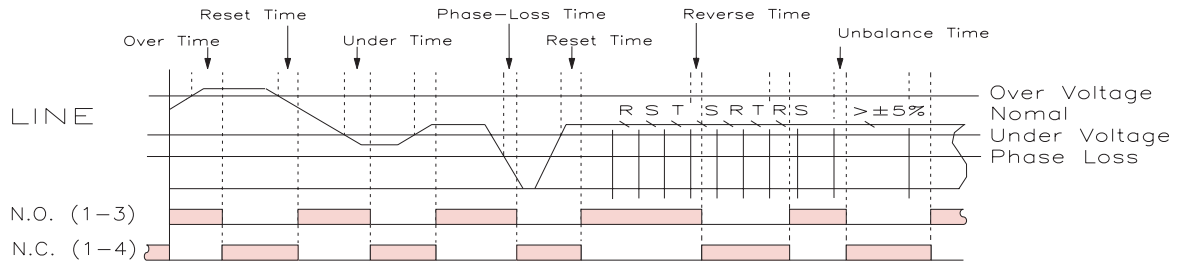
3-Phase 4-Wire



1-Phase 2-Wire

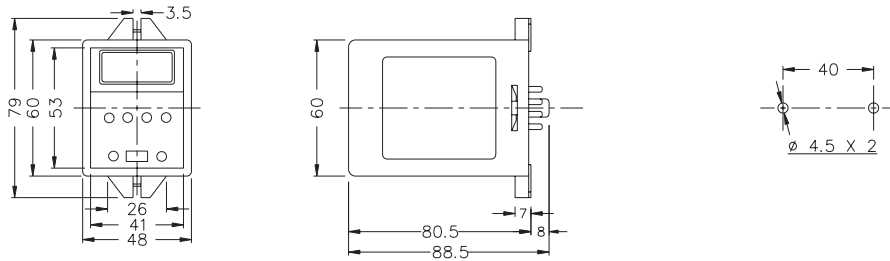


TIMING CHART :



DIMENSIONS : (mm)

N type(Surface Mounting): Using 8PFA Socket



Y type(Flush Mounting): Using US-08 Socket or P3G-08 Socket

